



EVR 2

Tennis Court Lighting

The ball's in your court... Can you see it?

The ELSCO EVR 2 has been the light of choice for high performance Tennis Court installations for many years and can be seen on hundreds of courts across the nation – both residential and Tennis clubs. It is designed with a sharp cut-off forward throw optical system which pushes the light produced uniformly onto the court area and minimizes glare and discomfort both to the court users and neighboring properties. Double seals on the door keep moisture and bugs out of the fitting, ensuring that your luminaire continues to perform long into the future.

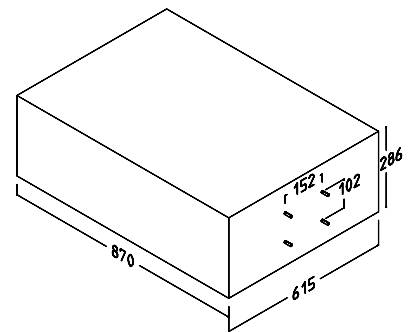
EVR 2 1000W

SPECIFICATIONS:

Dimensions	870 x 615 x 286 mm
Weight	1000W - 35kg
Finish	Powdercoated satin black (standard)
Lamp	1000MH (standard) (HPS available on request)
Lampholder	Porcelain E40 spring-loaded centre contact
Ballast	High power factor constant wattage suitable for lamp
Part Numbers	EVR 2: EL101015 (240V) EL101025 (415V)

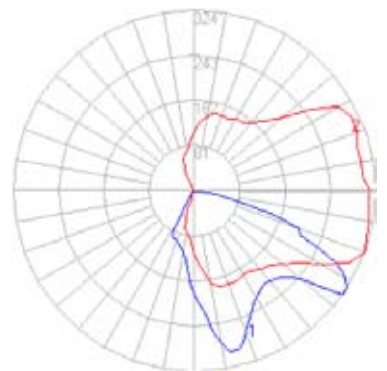
FEATURES

Control Gear	Pre-wired and mounted on single tray. Fully accessible with front lens open. Concealed behind silk-screened section of lens. Integral, constant wattage.
Reflector	Sharp cut-off, forward throw high purity polished and anodised aluminium reflector.
Gasket	Twin vinyl-covered foam gaskets provide complete seal between glass frame and fixture body.
Lens	Anodised extruded aluminium frame with reinforced corners incorporates 4mm toughened glass lens, securely fastened and silicon sealed into frame. Lens frame is hinged on one side of fixture body with stainless steel fixings.
Housing	Aluminium. Completely sealed for protection from all weather conditions. Mounted via four stainless steel bolts at rear of fixture. Internal support frame to protect against body distortion.



Photometrics

- Horizontal
- Vertical



Please contact:

Aglo Systems, 9 Jarrah Drive, Braeside VIC 3195
 Phone: 03 9580 2611 Fax: 03 9580 3144 Email: sales@aglosystems.com.au
www.elscolighting.com.au

Aglo Systems Guarantee:

All bodywork guaranteed for 5 years. Control gear guaranteed for 12 months.